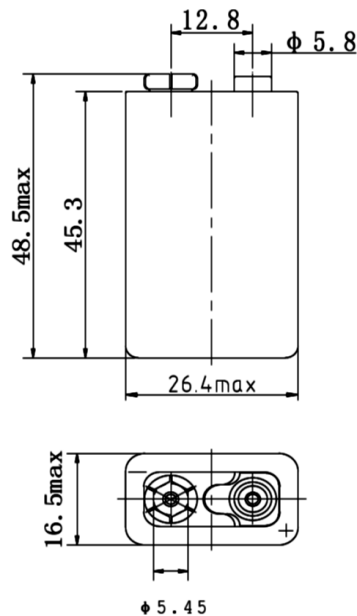




## 'Pro Alkaline' High Performance Battery 6LR61 9V

applicable for the cells manufactured from Jan 2018



<b>Designation IEC:</b>	6LR61
<b>Nominal voltage:</b>	9V
<b>Designed capacity:</b>	650 mAh (discharge with high resistance)
<b>Internal impedance:</b>	1800 mΩ @1 kHz
<b>Shelf life:</b>	5 years
<b>Weight:</b>	46 g
<b>Dimensions (max):</b>	16.5 x 26.4 x 48.5 mm
<b>Temperature ranges:</b>	long-term storage: -10..35°C application/discharge: -10..40°C
<b>Approved standards:</b>	GB 8897.2, GB 8897.5, GB/T 8897.1/IEC 60086-1/IEC 60086-2/IEC 60086-3

Typical service output (initial discharge, new battery, at 25°C):

Load	Conditions	End Voltage	Time
270Ω	1 h/d	5.4V	20 h
620Ω	2 h/d	5.4V	52 h
10kΩ background 0.62kΩ pulse: 1s on, 3599s off	24 h/d	7.5V	24 d

